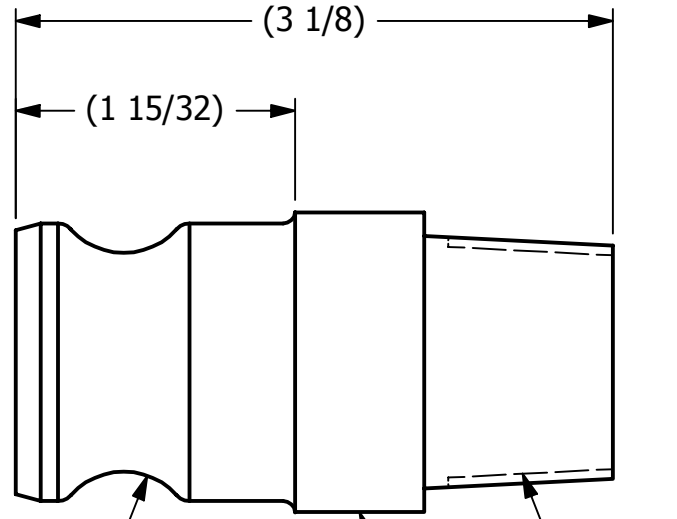
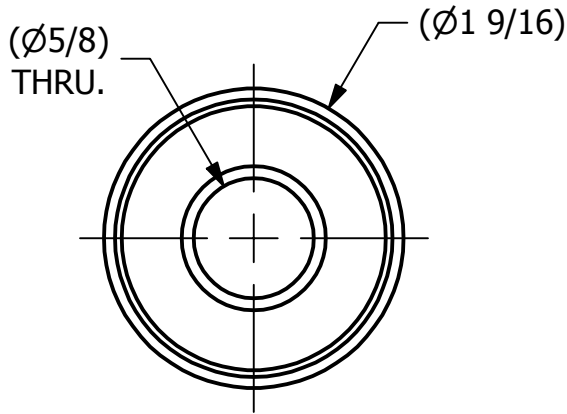


SALES DRAWING

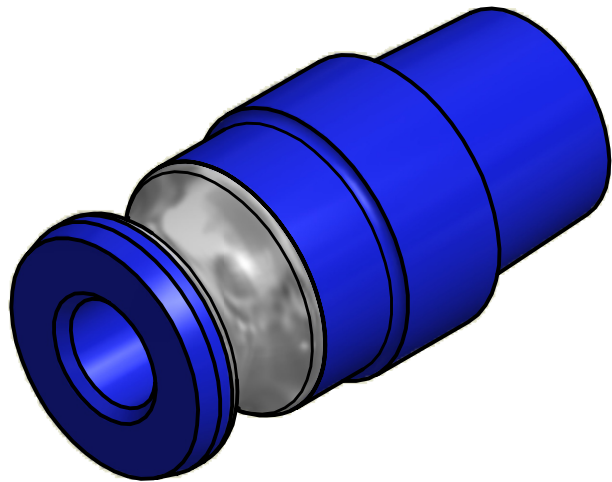
SALES DRAWING



1" 316 SS REINFORCED
CAM GROOVE

PATENT NO. 9,194,522

1" NPT



ISOMETRIC VIEW

NOTE:
PROFILE MEETS A-A-59326D.

REV	BY	DATE	DESCRIPTION
C	TAK	1-29-15	UPDATED PATENT NUMBER & CAM PROFILE DIMS
B	WEB	1-31-14	ADDED NOTE #1, ADDED Ø1.374 DIM
A	DGP	3-15-13	RELEASED FOR PRODUCTION

<small>UNLESS OTHERWISE SPECIFIED DIMENSIONAL TOLERANCES FRACTIONAL: ±1/16 X.XX: ±.03 X.XXX: ±.015 ANGULAR: ±1° DEBURR ALL SHARP EDGES. ALL MACHINED SURFACES TO HAVE A 125 RMS FINISH UNLESS NOTED OTHERWISE. THIRD ANGLE PROJECTION</small>	DRAWN BY:	DGP
	CHECKED BY:	WRB
	PROTOTYPE BY:	DGP
	PROTOTYPE DATE:	3/12/2013
	APPROVED FOR PRODUCTION BY:	DGP
	PRODUCTION DATE:	3/15/2013

PART NAME: ADAPTER 1"		
MATERIAL: SALCO PE/316 SS		
PROJECT #:	SHEET #:	SCALE:
031212CN	1 OF 1	1:1
DRAWING #:	PART #:	
A35652	HSRK1PF	